

6

5

4

3

2

1

D

C

B

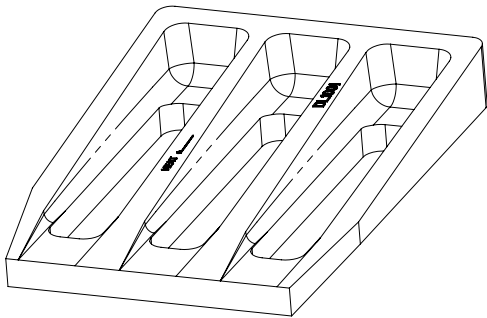
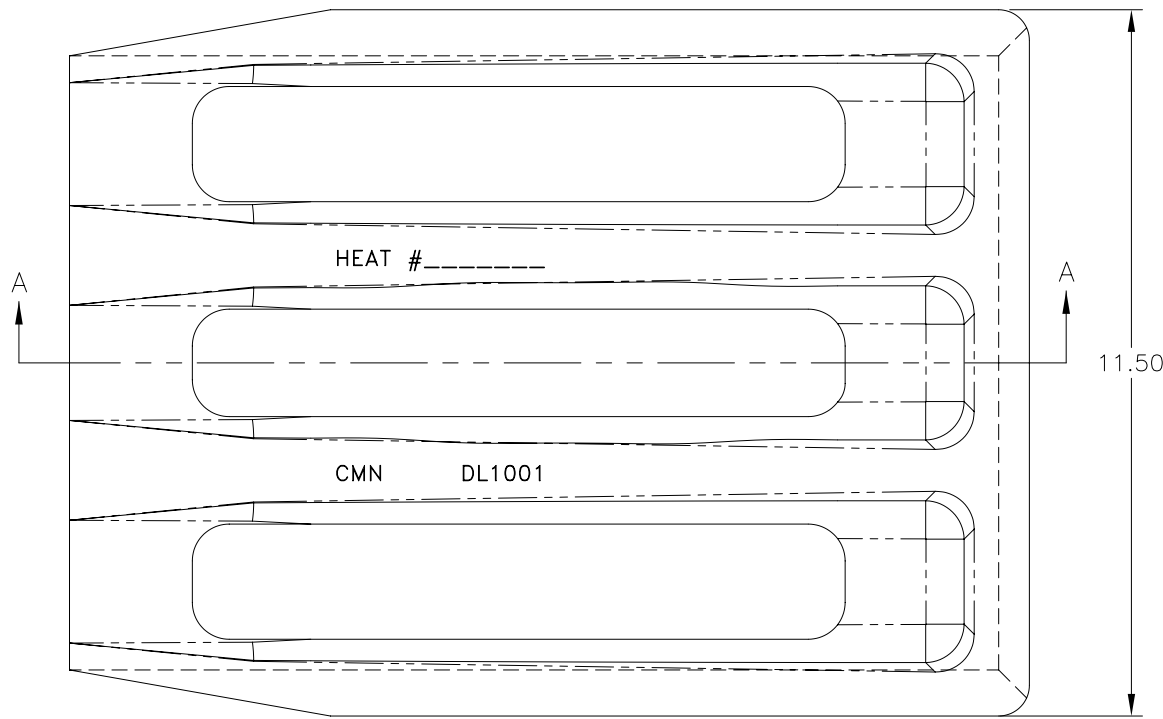
A

D

C

B

A



WEIGHT: 59 LB

THIS DRAWING IS THE PROPERTY OF
CMN COMPONENTS, INC.
 ENGINEERED METAL PRODUCTS

C M N		TITLE:	
		REAR DRAFT LUG (SLOTTED)	
SIZE	FSCM No	DRAWING NUMBER:	REV.
D		DL-1001	00
SCALE:		DO NOT SCALE DRAWING	SHEET 1 OF 1

NOTICE OF PROPRIETARY RIGHTS: This document discloses subject matter in which CMN Components, Inc. has proprietary rights. Neither receipt nor possession thereof confers or transfers any rights to reproduce or disclose this document, any part thereof, any information contained therein or any physical article or device, or to practice any method or process except by the written permission from CMN Components, Inc.

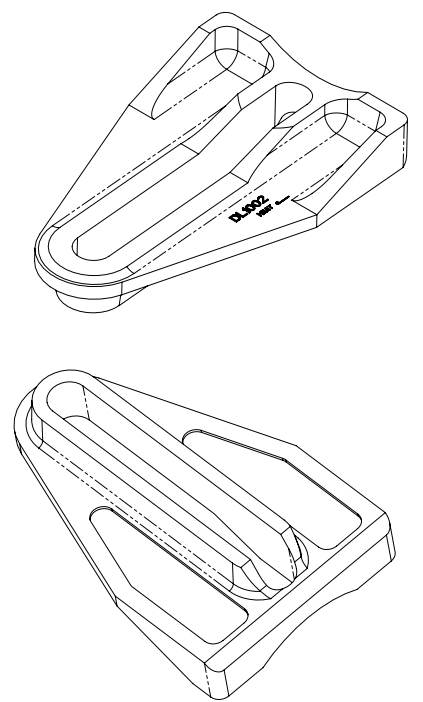
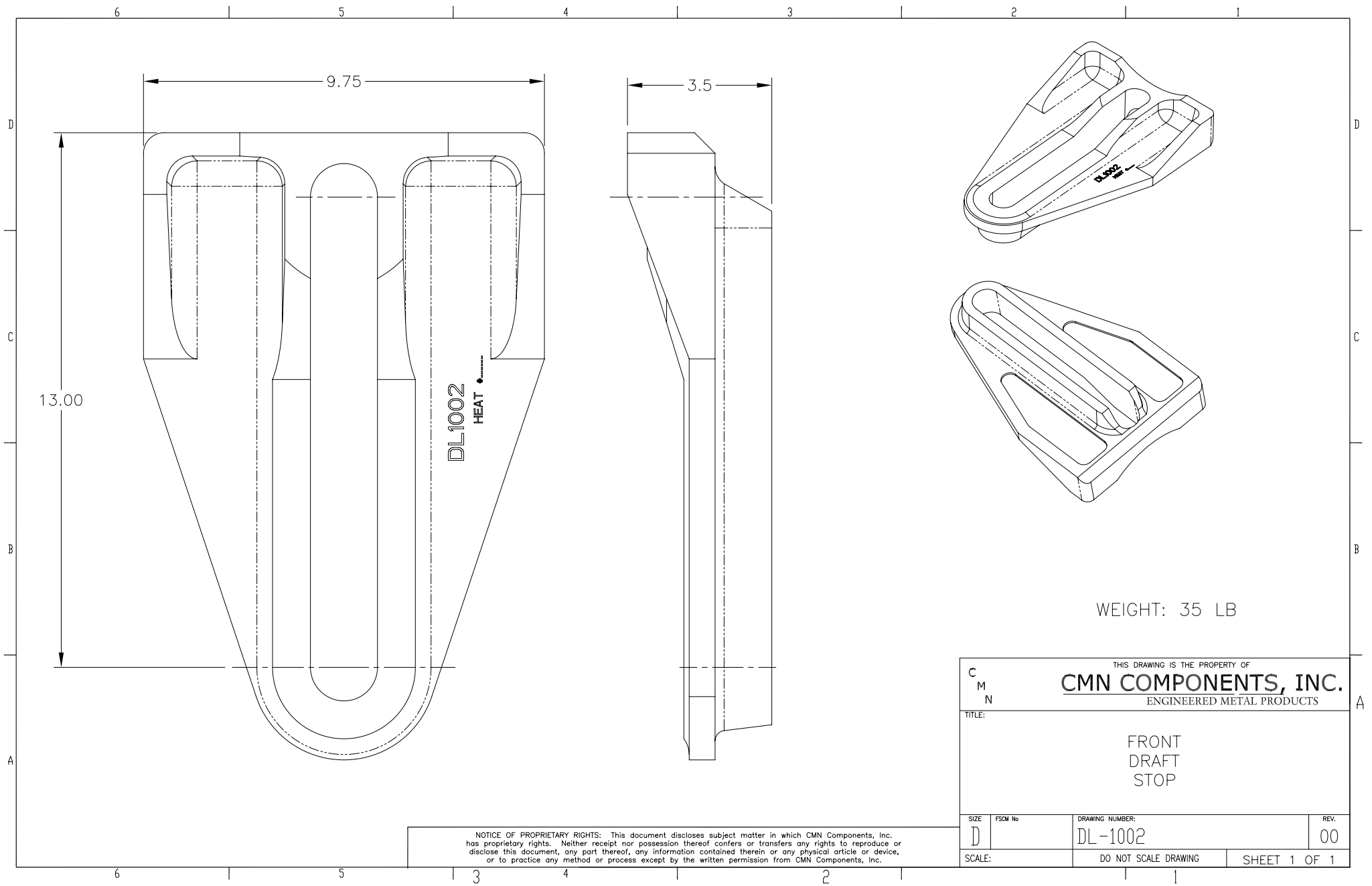
6

5

3

4

2



WEIGHT: 35 LB

THIS DRAWING IS THE PROPERTY OF			
CMN COMPONENTS, INC.			
ENGINEERED METAL PRODUCTS			
TITLE:			
FRONT DRAFT STOP			
SIZE	FSCM No	DRAWING NUMBER:	REV.
D		DL-1002	00
SCALE:		DO NOT SCALE DRAWING	SHEET 1 OF 1

NOTICE OF PROPRIETARY RIGHTS: This document discloses subject matter in which CMN Components, Inc. has proprietary rights. Neither receipt nor possession thereof confers or transfers any rights to reproduce or disclose this document, any part thereof, any information contained therein or any physical article or device, or to practice any method or process except by the written permission from CMN Components, Inc.

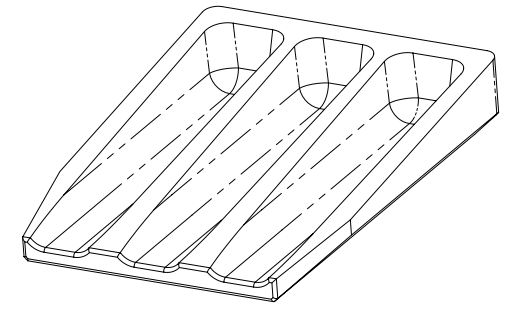
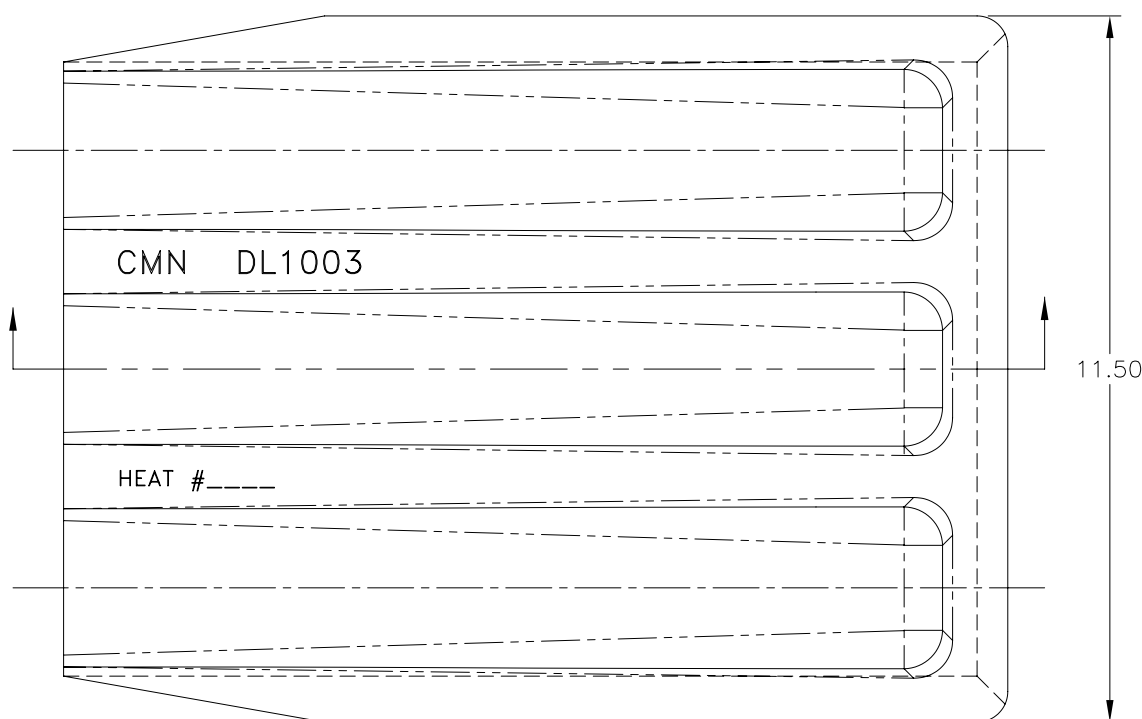
6 5 4 3 2 1

D

C

B

A



D

C

B

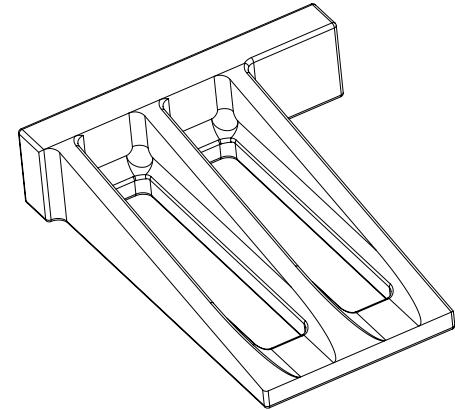
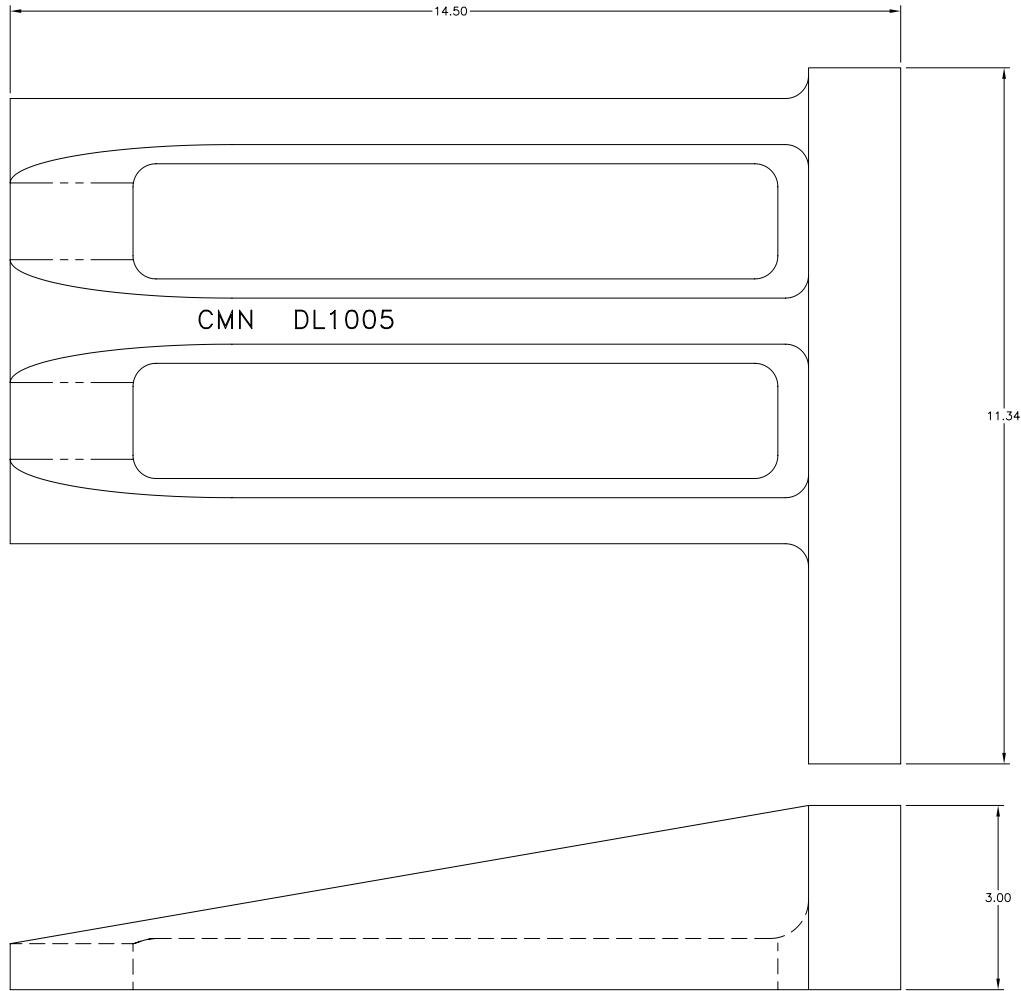
A

WEIGHT: 55 LB

THIS DRAWING IS THE PROPERTY OF			
CMN COMPONENTS, INC.			
ENGINEERED METAL PRODUCTS			
TITLE:			
REAR DRAFT LUG			
SIZE	FSCM No	DRAWING NUMBER:	REV.
D		DL-1003	00
SCALE:		DO NOT SCALE DRAWING	SHEET 1 OF 1

NOTICE OF PROPRIETARY RIGHTS: This document discloses subject matter in which CMN Components, Inc. has proprietary rights. Neither receipt nor possession thereof confers or transfers any rights to reproduce or disclose this document, any part thereof, any information contained therein or any physical article or device, or to practice any method or process except by the written permission from CMN Components, Inc.

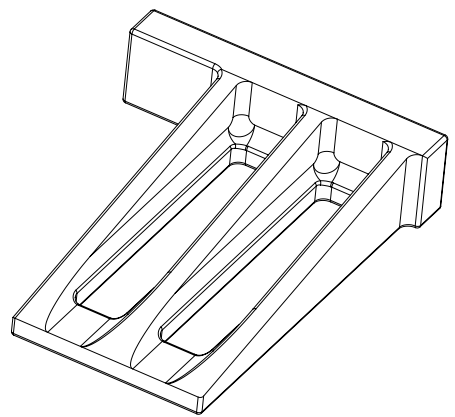
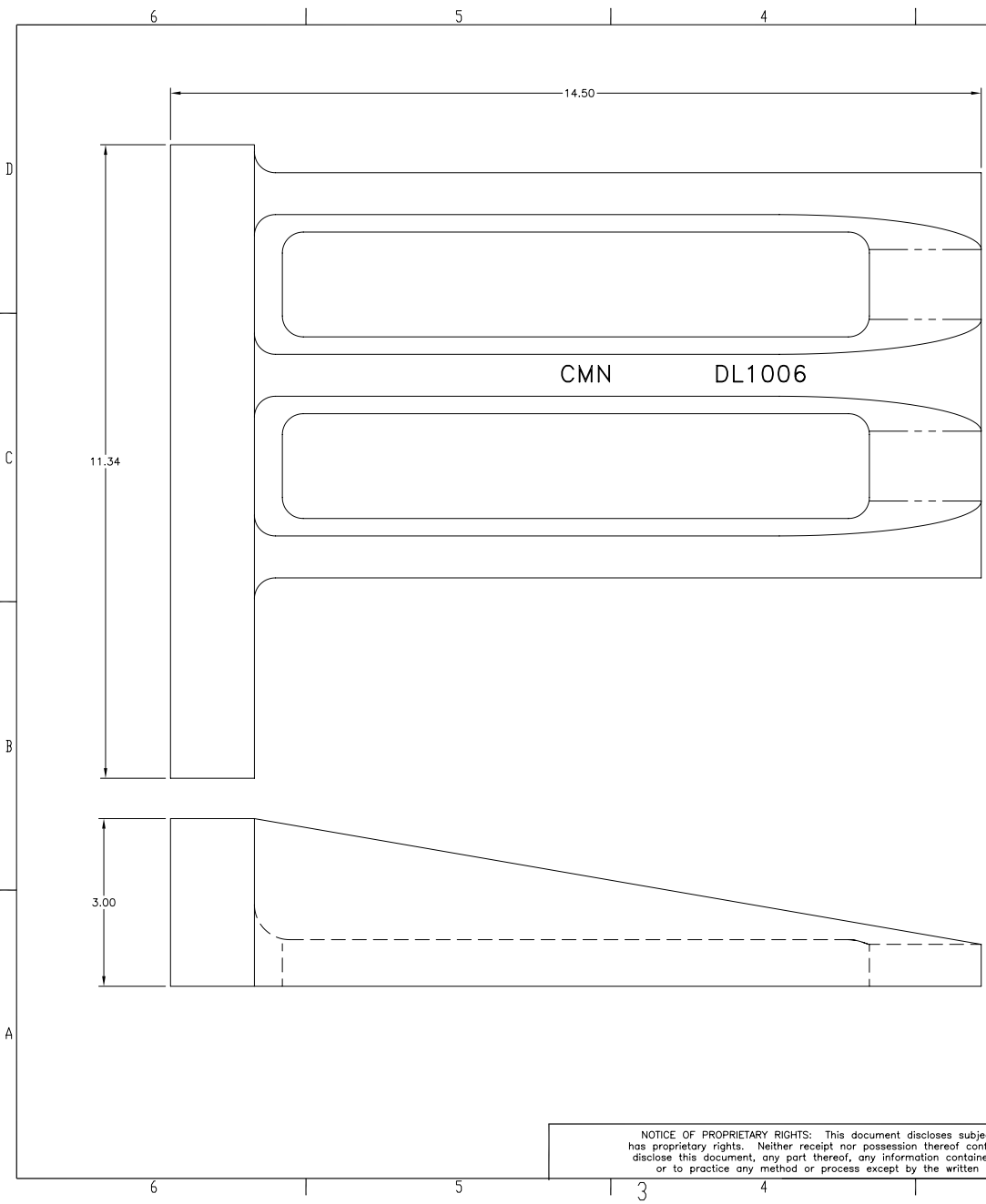
6 5 3 4 2 1



WEIGHT: 34 LB

THIS DRAWING IS THE PROPERTY OF			
CMN COMPONENTS, INC.			
ENGINEERED METAL PRODUCTS			
TITLE: REAR DRAFT LUG (LEFT)			
SIZE	FSCM No	DRAWING NUMBER:	REV.
D		DL-1005	00
SCALE:		DO NOT SCALE DRAWING	SHEET 1 OF 1

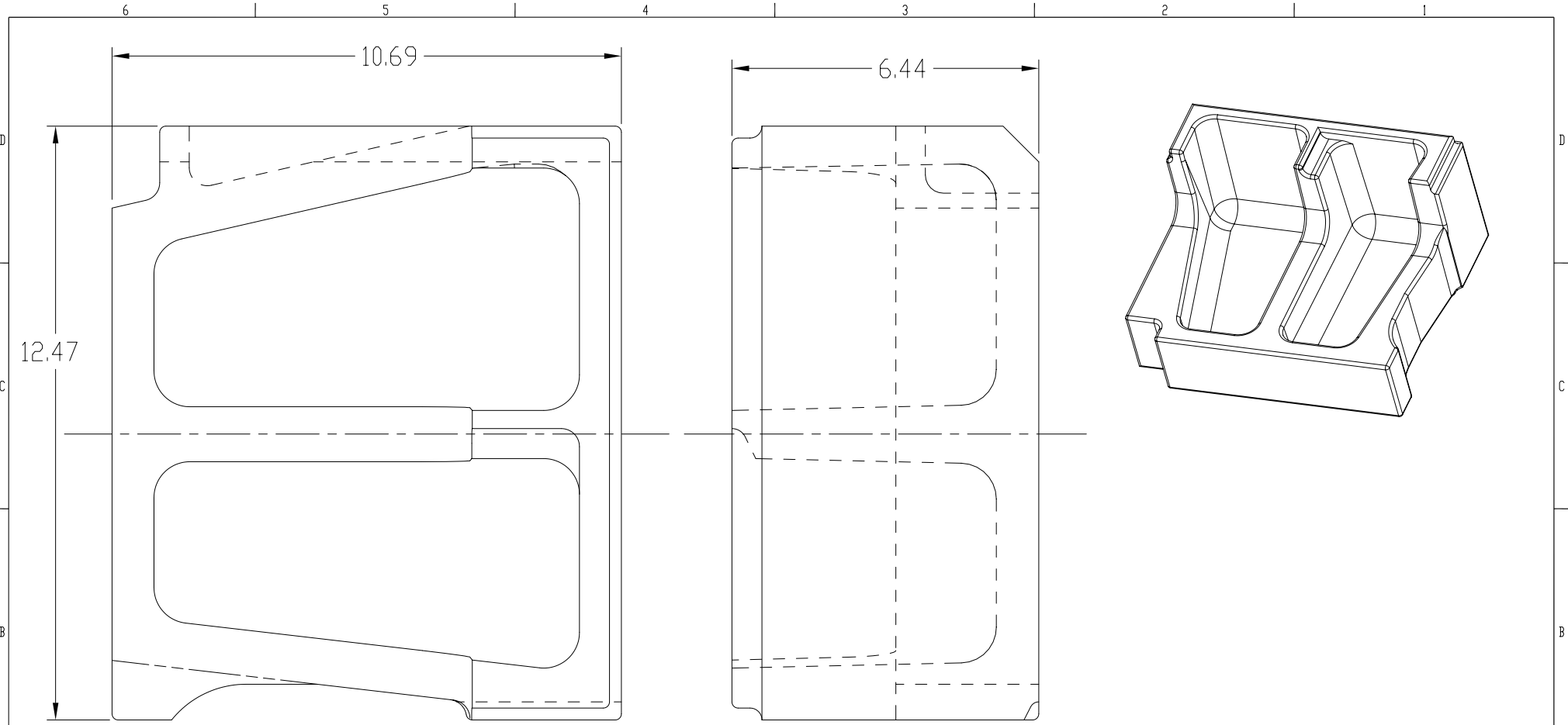
NOTICE OF PROPRIETARY RIGHTS: This document discloses subject matter in which CMN Components, Inc. has proprietary rights. Neither receipt nor possession thereof confers or transfers any rights to reproduce or disclose this document, any part thereof, any information contained therein or any physical article or device, or to practice any method or process except by the written permission from CMN Components, Inc.



WEIGHT: 34 LB

THIS DRAWING IS THE PROPERTY OF			
CMN COMPONENTS, INC.			
ENGINEERED METAL PRODUCTS			
TITLE:			
REAR DRAFT LUG (RIGHT)			
SIZE	FSCM No	DRAWING NUMBER:	REV.
D		DL-1006	00
SCALE:		DO NOT SCALE DRAWING	SHEET 1 OF 1

NOTICE OF PROPRIETARY RIGHTS: This document discloses subject matter in which CMN Components, Inc. has proprietary rights. Neither receipt nor possession thereof confers or transfers any rights to reproduce or disclose this document, any part thereof, any information contained therein or any physical article or device, or to practice any method or process except by the written permission from CMN Components, Inc.



WEIGHT: 91 LB

THIS DRAWING IS THE PROPERTY OF			
CMN COMPONENTS, INC.			
ENGINEERED METAL PRODUCTS			
TITLE: COMBINED REAR DRAFT LUGS AND SHEAR PLATE (LEFT HAND)			
SIZE	FSCM No	DRAWING NUMBER:	REV.
D		DL-1007	00
SCALE:		DO NOT SCALE DRAWING	SHEET 1 OF 1

NOTICE OF PROPRIETARY RIGHTS: This document discloses subject matter in which CMN Components, Inc. has proprietary rights. Neither receipt nor possession thereof confers or transfers any rights to reproduce or disclose this document, any part thereof, any information contained therein or any physical article or device, or to practice any method or process except by the written permission from CMN Components, Inc.